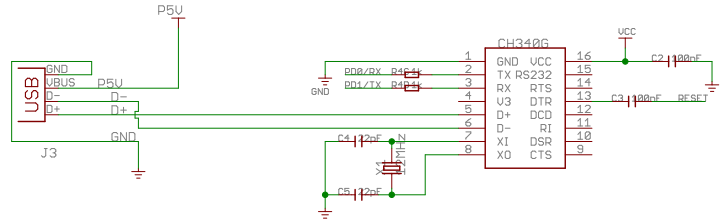
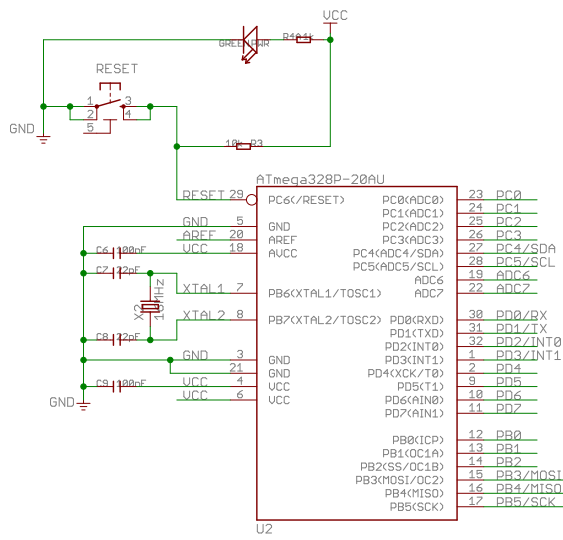


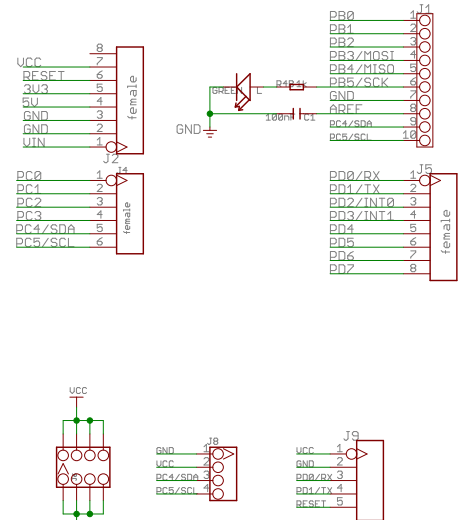
USB to Serial



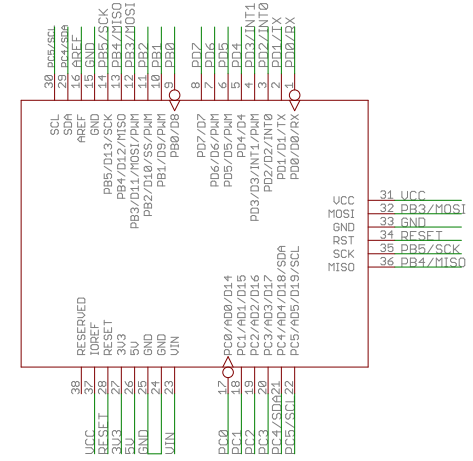
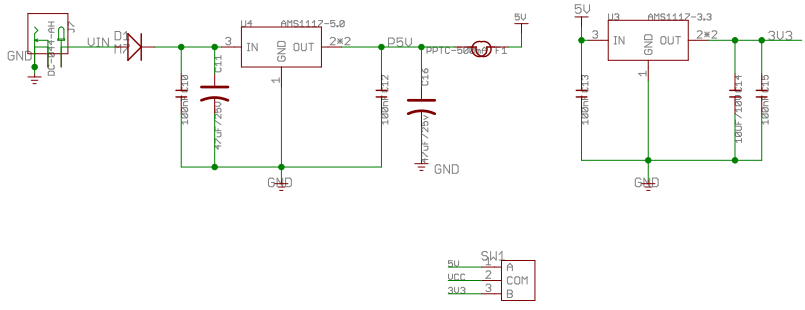
MICROCONTROLLER



I/Os



POWER



Title: OPEN-SHART UND BU / 3.3V
 Design: Jack
 Check: Frank
 Date: 2016-09-11
 Store: <http://www.dx.com>
<http://www.aliexpress.com/store/1199788>