

RF-Nano Board

Version 1.0

Index	Page
Power-CH340	1
MCU	2
NRF24L01+	3

Sheet: Power-CH340

File: Power-CH340.sch

Sheet: MCU

File: MCU.sch

Sheet: NRF2401

File: NRF2401.sch



Sheet: /
File: RF-Nano.sch

Title:

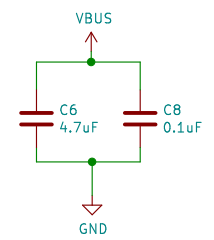
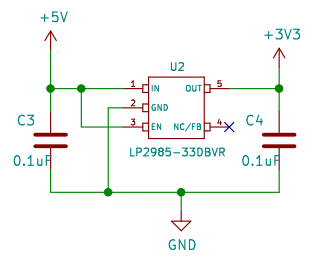
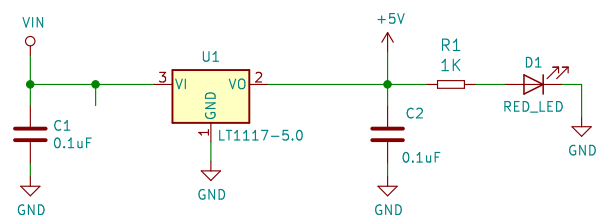
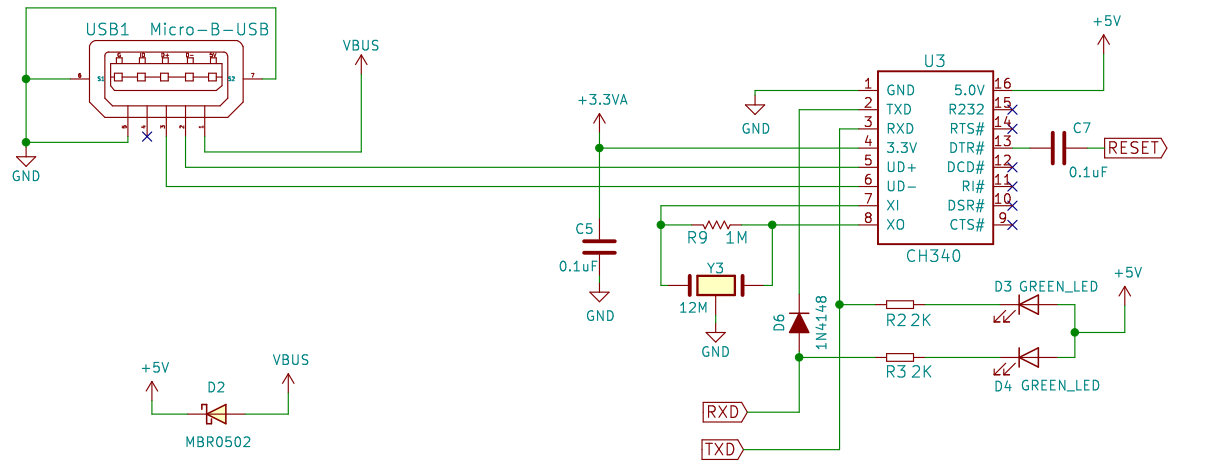
Size: A4

Date:

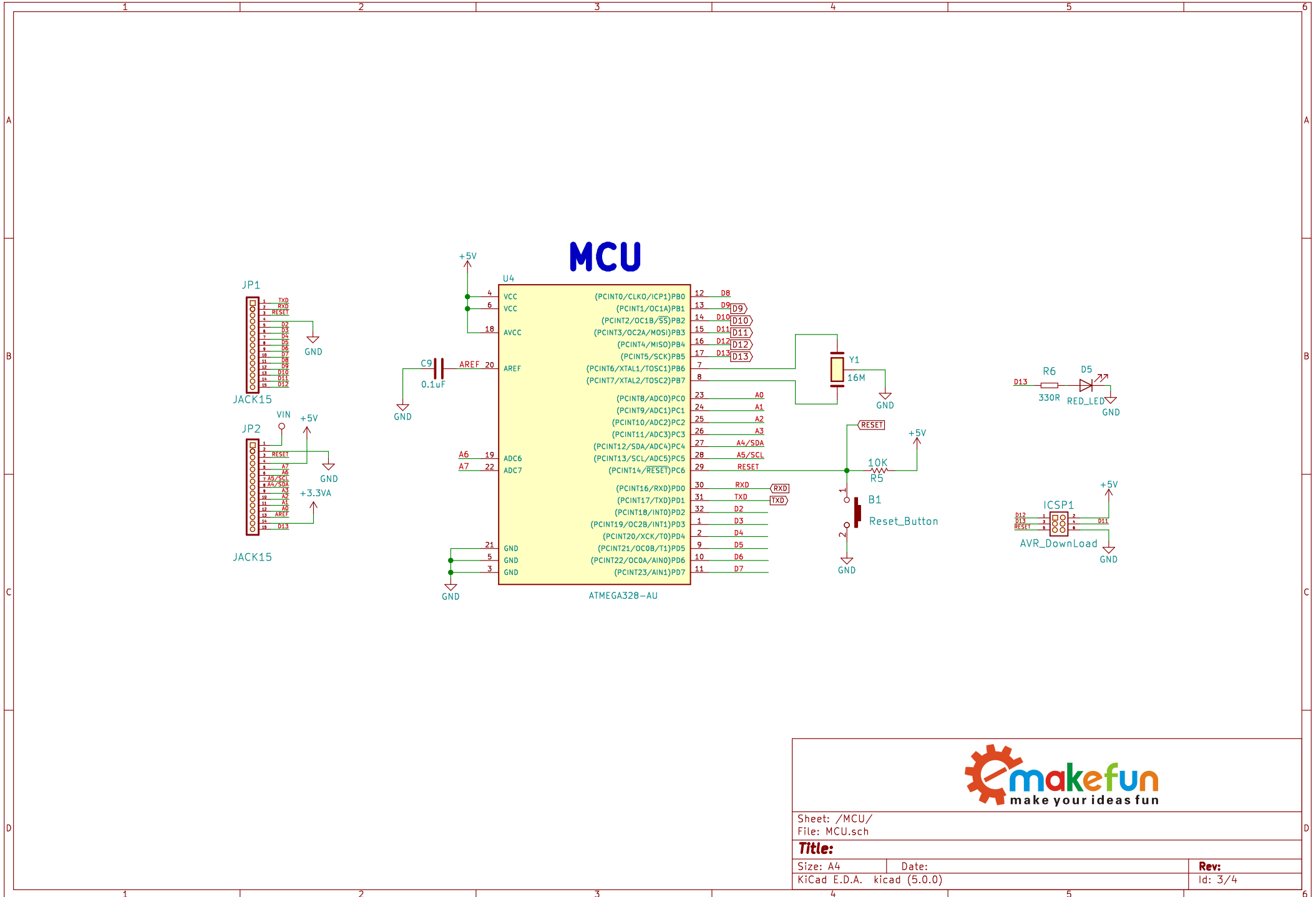
KiCad E.D.A. kicad (5.0.0)

Rev:

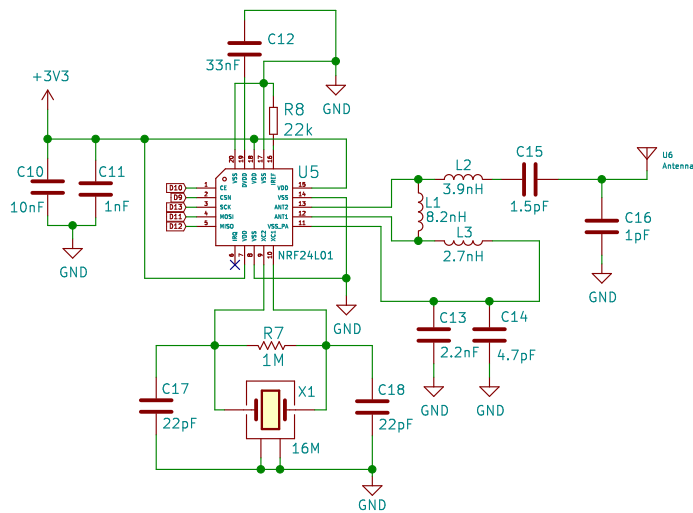
Id: 1/4



Sheet: /Power-CH340/		Date:	
File: Power-CH340.sch		Rev:	
Title:			
Size: A4	KiCad E.D.A. kicad (5.0.0)	Id: 2/4	



Sheet: /MCU/		Date:	
File: MCU.sch		Rev:	
Size: A4	KiCad E.D.A. kicad (5.0.0)	Id: 3/4	



Sheet: /NRF2401/
File: NRF2401.sch

Title:

Size: A4
KiCad E.D.A. kicad (5.0.0)

Date:

Rev:
Id: 4/4