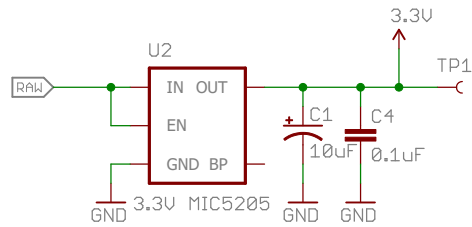
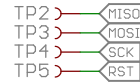


Power Circuit:

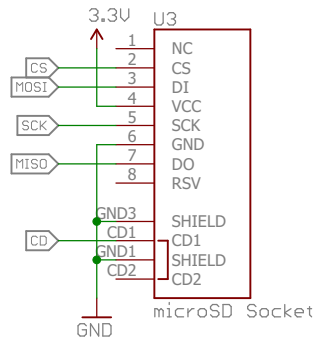


Max Voltage Input: 16VDC  
Max Current Output: 150mA

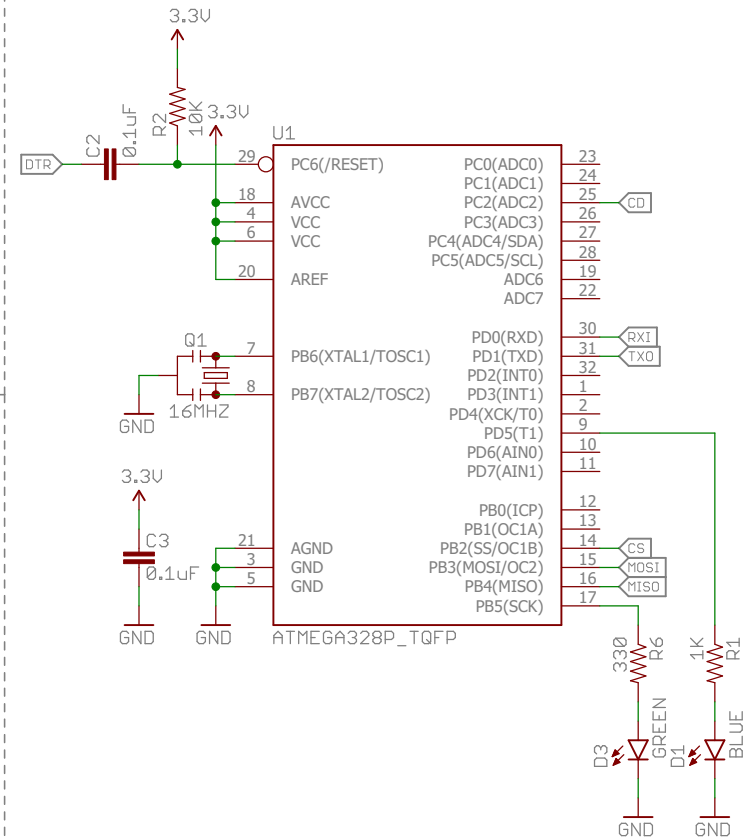
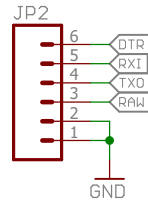
SPI Header:



MicroSD Socket:



Serial Header:



0.8mm Thin PCB


Remember, RXI is an input pin into OpenLog.

This board is meant to couple directly to Arduino Pro and Pro Mini.

This board cannot be directly connected to an FTDI Basic.

To connect OpenLog to an FTDI basic, you will need to swap TX and RX lines between boards.



Released under the Creative Commons Attribution Share-Alike 4.0 License   
<https://creativecommons.org/licenses/by-sa/4.0/>

TITLE: OpenLog

Design by: N. Seidle  
Revised by: Patrick Alberts, Pete Lewis

REV:  
V15

Date: 4/7/2016 2:51 PM

Sheet: 1/1